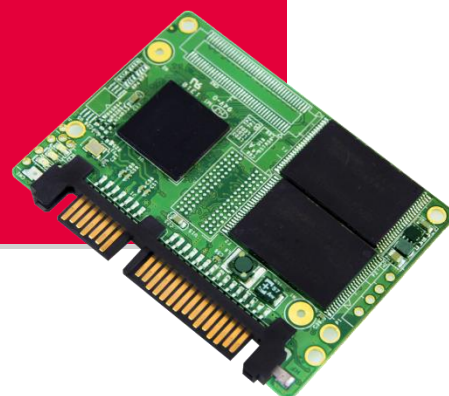


Datasheet

# SATA Slim

## 3ME series

- SATA III solution for industrial field
- iSMART disk health monitoring
- Intelligent error recovery system
- Excellent data transfer speed
- Zero mechanical interference
- Compatible with JEDEC MO-297 standard



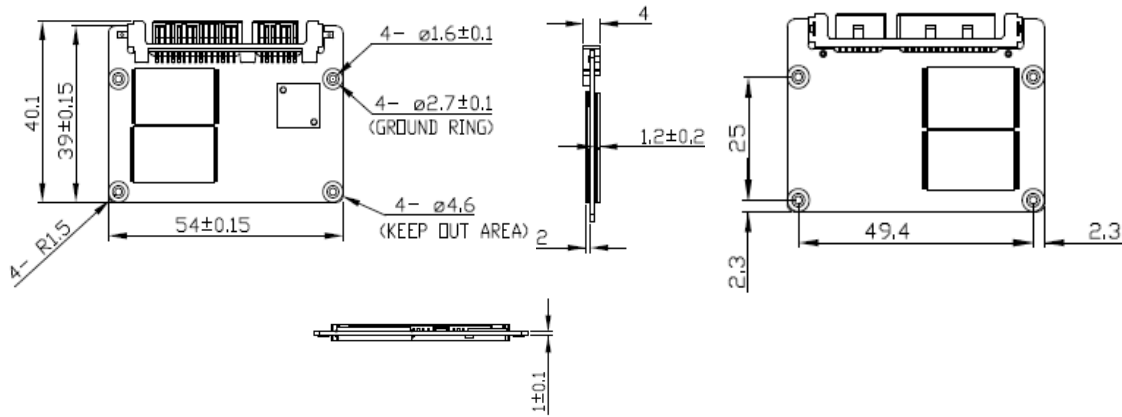
### Introduction

Innodisk SATA Slim 3ME is SATA III 6Gb/s Flash based disk, which designed with standard SATA interface (7+15 SATA connector), and compliant with JEDEC MO-297 standard. With its smaller dimension, SATA Slim 3ME is an alternative solution of 2.5" SSD for those embedded system that may have mechanical and space concerns. Innodisk SATA Slim 3ME operates under SATA III (6.0Gb/s) interface with excellent performance and reliability making it the ideal solution for a variety of applications, including embedded system, and industrial field.

# SATA Slim

## 3ME series

### Drawing



Contact us for more information about the SATA Slim 3ME

Innodisk is a service-driven provider of industrial embedded flash and DRAM storage products and technologies, with a focus on the industrial/embedded, aerospace and defense, and cloud computing industries.

## Specifications

Interface	SATA III
Flash Type	MLC
Capacity	4GB~128GB
Max. Channels	4
Sequential R/W (MB/sec, max.)	460 / 160
Max. Power Consumption	1.6W (5V x 310 mA )
Thermal Sensor	ST- Optional/ WT- Default
External DRAM Buffer	-
H/W Write Protect	-
Pin7 Power	-
ATA Security	√
S.M.A.R.T.	√
Dimension (WxLxH)	54.0 X 39.0 X 4.0 mm
Environment	Vibration: 20G @7~2000Hz Shock: 1500G @ 0.5ms Storage Temperature: -55°C ~ +95°C MTBF: 3 million hours

#### Headquarters (Taiwan)

5F., No.237, Sec. 1, Datong Rd.,  
Xizhi Dist., New Taipei City 221,  
Taiwan (R.O.C.)  
Tel: +886-2-77033000  
Email: sales@innodisk.com

#### Branch Offices:

USA  
[usasales@innodisk.com](mailto:usasales@innodisk.com)  
+1-510-770-9421  
Europe  
[eusales@innodisk.com](mailto:eusales@innodisk.com)  
+31-040-282-1818  
Japan  
[jpsales@innodisk.com](mailto:jpsales@innodisk.com)  
+81-45-594-7581  
China  
[sales\\_cn@innodisk.com](mailto:sales_cn@innodisk.com)  
+86-755-21673689  
[www.innodisk.com](http://www.innodisk.com)

© 2014 Innodisk Corporation.  
All right reserved. Specifications  
are subject to change without  
prior notice.

## Ordering Information

20150113

Operation Temp.	4GB	8GB	16GB	32GB	64GB	128GB
Standard Grade (0°C ~ +70°C)	DESLM-04GD07RC2SC	DESLM-08GD07RC2SC	DESLM-16GD07RC2DC	DESLM-32GD06RC3QC	DESLM-64GD06RC3QC	DESLM-A28D06RC3QC
Industrial Grade (-40°C ~	DESLM-04GD07SW2S	DESLM-08GD07SW2S	DESLM-16GD07SW2D	DGSLM-32GD06SW3Q	DESLM-64GD06SW3Q	DESLM-A28D06SW3Q

**innodisk**

[www.innodisk.com](http://www.innodisk.com)