

Datasheet

2.5" SATA SSD

3MG2-P series

- 2.5" SATA III solution for industrial field
- 7mm height mechanical design
- High IOPS
- Intelligent error recovery system
- iSMART disk health monitoring
- iData Guard for abnormal power failure
- iCell technology for data protection (optional)
- DEVSLP supported



Introduction

Innodisk 2.5" SATA SSD 3MG2-P is SATA III 6Gb/s flash based disk, which delivers excellent performance, especially in random data transfer rate, and which offers reliability making it the ideal solution for a variety of applications, including embedded system, industrial computing, and enterprise field. 3MG2-P 2.5" SSD not only performs unmatched performance, but also designed with Innodisk owned technical knowhow to ensure the data integrity and highest levels of reliability. Additionally, 3MG2-P SATA SSD can support device sleep mode (DEVSLP) and thus be able to benefit in extreme low power consumption.

2.5" SATA SSD

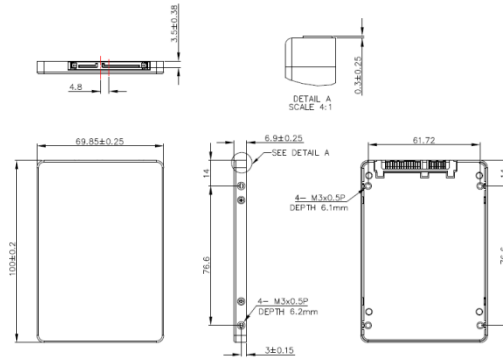
3MG2-P series

Contact us for more information about the 2.5" SATA SSD 3MG2-P

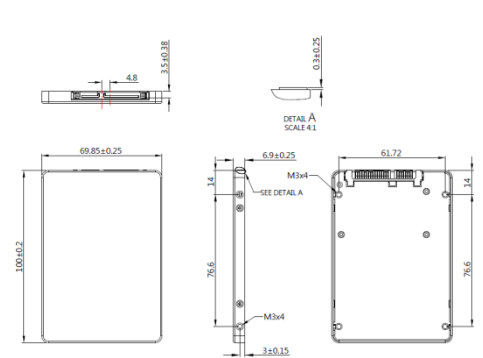
Innodisk is a service-driven provider of industrial embedded flash and DRAM storage products and technologies, with a focus on the industrial/embedded, aerospace and defense, and cloud computing industries.

Drawing

* DGS25-XXXD81SX1XC



* DGS25-XXXD81SX3XC



Specifications

Interface	SATA III
Flash Type	MLC
Capacity	8GB~1TB
Max. Channels	4
Sequential R/W (MB/sec, max.)*	520 / 450 MB/s (Toshiba MLC) 520 / 300 MB/s (Micron MLC)
4KB Random (QD32) R/W (IOPS)**	70,000/25,000
Max. Power Consumption	6 W (5V x 1.2A)
Thermal Sensor	√
External DRAM Buffer	√
H/W Write Protect	-
ATA Security	√
S.M.A.R.T.	√
DEVSLP Mode	√ (min. power consumption 3mW)
Slumber Mode	√ (min. power consumption 30mW)
Dimension (WxLxH)	70.0 X 100.0 X 6.8 mm
Environment	Vibration: 20G @7~2000Hz Shock: 1500G @ 0.5ms Storage Temperature: -55°C ~ +95°C MTBF: 3 million hours
* Sequential performance based on CrystalDiskMark 3.01 with file size 1000MB	
** Random performance based on IOMeter with Queue Depth 32	

Headquarters (Taiwan)

5F., No.237, Sec. 1, Datong Rd.,
Xizhi Dist., New Taipei City,
Taiwan (R.O.C.)
Tel: +886-2-77033000
Email: sales@innodisk.com

Branch Offices:

USA
usasales@innodisk.com
+1-510-770-9421
Europe
eusales@innodisk.com
+31-(0)40-282-1818
Japan
jpsales@innodisk.com
+81-45-594-7581
China
sales_cn@innodisk.com
+86-755-21673689
www.innodisk.com

© 2014 Innodisk Corporation.
All right reserved. Specifications
are subject to change without
prior notice.

Ordering Information (Please refer to TPS for detail)

Operation Temp.	8GB	16GB	32GB	64GB	128GB	256GB	512GB	1TB
Standard Grade (0°C ~ +70°C)	DGS25-08GD81SC3SC DGS25-08GD81SC1SCP	DGS25-16GD81SC3DC DGS25-16GD81SC1DCP	DGS25-32GD81SC3QC DGS25-32GD81SC1QCP	DGS25-64GD81SC1QC(P)	DGS25-A28D81SC1QC(P)	DGS25-B56D81SC1QC(P)	DGS25-C12D81SC1QC(P)	DGS25-01TD81SCAQC(P)
Industrial Grade (-40°C ~ +85°C)	DGS25-08GD81SW3SC DGS25-08GD81SW1SCP	DGS25-16GD81SW3DC DGS25-16GD81SW1DCP	DGS25-32GD81SW3QC DGS25-32GD81SW1QCP	DGS25-64GD81SW1QC(P)	DGS25-A28D81SW1QC(P)	DGS25-B56D81SW1QC(P)	DGS25-C12D81SW1QC(P)	DGS25-01TD81SWAQC(P)

innodisk

www.innodisk.com